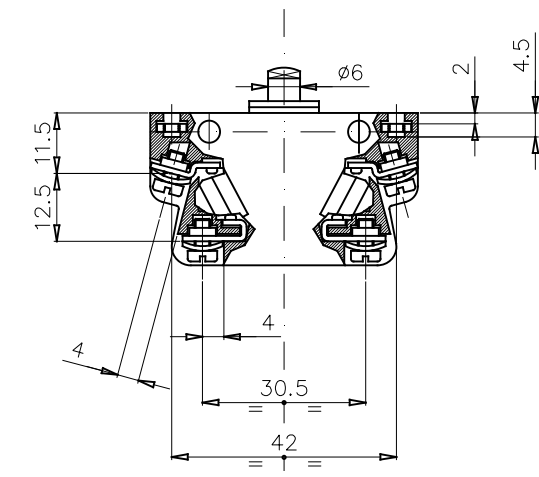
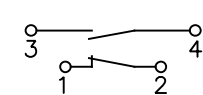
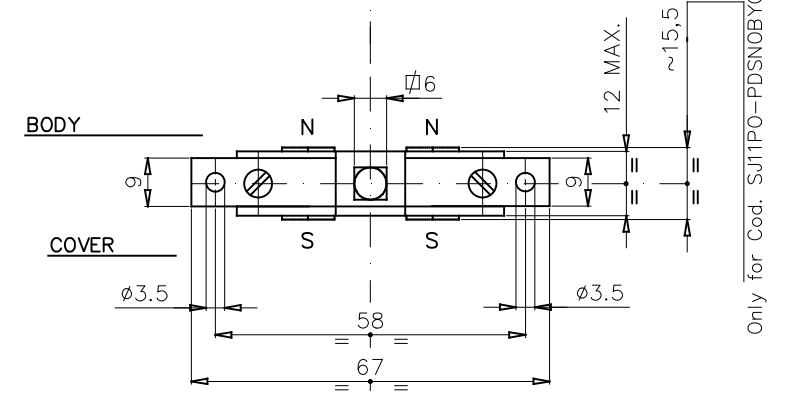
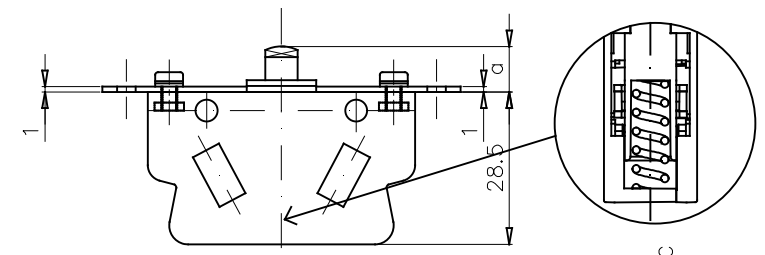


Galvanically isolated contact bridges
POSITIVE OPENING



MAX. OPERATING FORCE	N
RELEASE FORCE	1
REST POSITION	a mm
TRIPPING POSITION	6,6±0,35
RELEASE POSITION	a mm
OVER TRAVEL LIMIT	5,65



EXECUTIONS WITH FIXING DISTANCE 28 mm	
CODE	FEATURE
SJ11PO-PNSNOUY*	MICROSWITCH COMPLETE WITH LEVER - STD.TYPE CONTACTS
SJ11PO-PNGNOUY*	MICROSWITCH COMPLETE WITH LEVER - GOLD PLATE CONTACTS
SJ11PO-PNSNOBY*	MICROSWITCH COMPLETE WITH LEVER - WITH SOLID SILVER CONTACTS AND BLOWING MAGNETS

EXECUTIONS WITH FIXING DISTANCE 58 mm	
CODE	FEATURE
SJ11PO-PDSNOUY*	MICROSWITCH COMPLETE WITH LEVER - STD.TYPE CONTACTS
SJ11PO-PDGNOUY*	MICROSWITCH COMPLETE WITH LEVER - GOLD PLATE CONTACTS
SJ11PO-PDSNOBY*	MICROSWITCH COMPLETE WITH LEVER - WITH SOLID SILVER CONTACTS AND BLOWING MAGNETS

NOTE : PLACE THE PERMANENT MAGNETS SO THAT THE POLARITIES ARE AS SHOWN IN THE DRAWING

* COVER MATERIAL	
CODE LETTER	MATERIAL
C	PC
N	PA66
P	PEI

NOTE : 2 µm GOLDEN PLATING

MATERIALE			VEDI TABELLA			TRATTAMENTO									
DISegnato	APPROVATO	VISTO C.C.	TOLLERANZE PER DIMENSIONI LINEARI ED ANGOLARI PRIVE DI INDICAZIONI DI TOLLERANZE SPECIFICHE UNI EN 22768-1			SCALA	SOSTITUISCE		PESO						
DATA	01-03-24	01-03-24	01-03-24	MOLTO GROSSOLANA GROSSOLANA MEDIA FINE			1:1								
FIRMA	DESIMONE	RIZZI	RIZZI	REVISIONE			0	1	2	3	4	5	6	7	8

◆◆◆◆ SIMBOLI UTILIZZATI PER IDENTIFICARE LA QUOTA IN REVISIONE DI MODIFICA

##0## SIMBOLO UTILIZZATO PER LE QUOTE SOGGETTE A CONTROLLO INTERNO

MODIFICHE	MODIFICHE	MODIFICHE	MODIFICHE	MODIFICHE	MODIFICHE	MODIFICHE

ISOLEX
 ISOLEX Italy
 DESCRIZIONE: SNAP-ACTION MICROSWITCH SJ11 PO (1NO + 1 NC)
 COD. VEDI TABELLA
 DIS. IP133900Y
 F. 1 di 1
 FORMATO A3