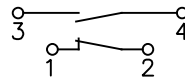


Galvanically isolated contact bridges

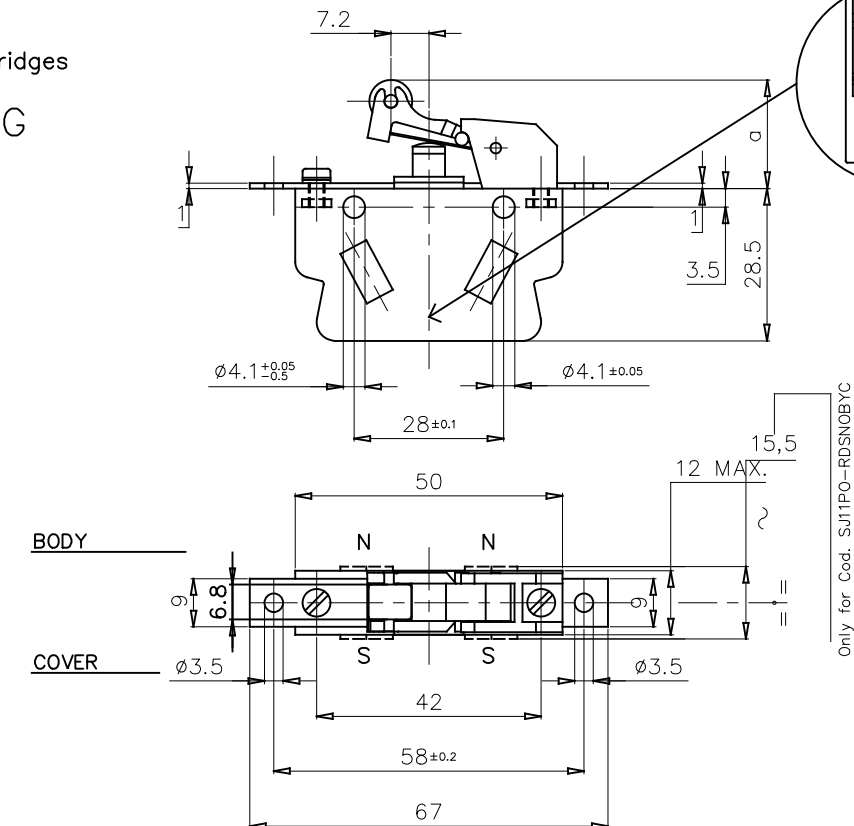
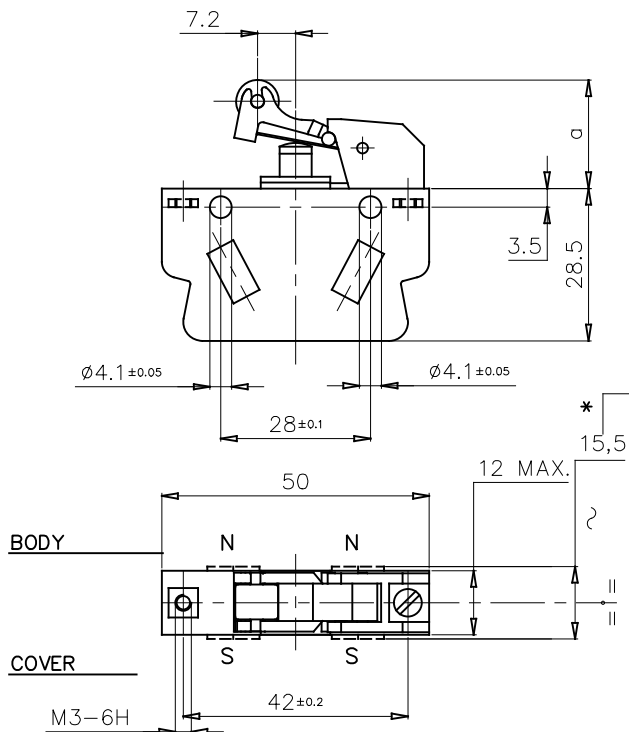
POSITIVE OPENING



MAX. OPERATING FORCE	N
	0,59
RELEASE FORCE	N
	1
REST POSITION	a mm
	20,1±0,25
TRIPPING POSITION	a mm
	16,1±0,25
RELEASE POSITION	a mm
	18,0±0,25
OVER TRAVEL LIMIT	a mm
	14,1

Only for Cod. SJ11PO-RNSNOBYC

Only for Cod. SJ11PO-RDSNOBYC



EXECUTIONS WITH FIXING DISTANCE 28 mm

CODE	FEATURE
SJ11PO-RNSNOUW*	MICROSWITCH COMPLETE WITH LEVER - STD.TYPE CONTACTS
SJ11PO-RNGNOUW*	MICROSWITCH COMPLETE WITH LEVER - GOLD PLATE CONTACTS
SJ11PO-RNSNOBW*	MICROSWITCH COMPLETE WITH LEVER - WITH SOLID SILVER CONTACTS AND BLOWING MAGNETS

EXECUTIONS WITH FIXING DISTANCE 58 mm

CODE	FEATURE
SJ11PO-RDSNOUW*	MICROSWITCH COMPLETE WITH LEVER - STD.TYPE CONTACTS
SJ11PO-RDGNOUW*	MICROSWITCH COMPLETE WITH LEVER - GOLD PLATE CONTACTS
SJ11PO-RDSNOBW*	MICROSWITCH COMPLETE WITH LEVER - WITH SOLID SILVER CONTACTS AND BLOWING MAGNETS

NOTE : PLACE THE PERMANENT MAGNETS SO THAT THE POLARITIES ARE AS SHOWN IN THE DRAWING

* COVER MATERIAL	
CODE LETTER	MATERIAL
C	PC
N	PA66
P	PEI

NOTE : 2 μm GOLDEN PLATING



SIMBOLI UTILIZZATI PER IDENTIFICARE LA QUOTA IN REVISIONE DI MODIFICA

##○##

SIMBOLO UTILIZZATO PER LE QUOTE SOGGETTE A CONTROLLO INTERNO

3	2	1	Rifer.
			Funz.
			Accop.
			Cliente

			MATERIALE	TRATTAMENTO	
DATA	02/08/23	02/08/23	02/08/23	TOLLERANZE PER DIMENSIONI LINEARI ED ANGOLARI PRIVE DI INDICAZIONI DI TOLLERANZE SPECIFICHE UNI EN 22768-1	SCALA 1:1
FIRMA	MARINO	MR	MR	MOLTO GROSSOLANA GROSSOLANA MEDIA FINE	SOSTITUISCE
				<input type="checkbox"/>	<input type="checkbox"/>
				<input checked="" type="checkbox"/>	<input type="checkbox"/>
				<input type="checkbox"/>	<input type="checkbox"/>
				<input type="checkbox"/>	<input type="checkbox"/>
				REVISIONE	1 2 3 4 5 6 7

ISOLEX  
Milano Italy

DESCRIZIONE

SNAP-ACTION MICROSWITCH SJ11 PO (1 N.O. + 1 N.C.) WITH OPERATION LEVER POSITIVE OPEN

COD. VEDI TABELLA

DIS. IP951500W

F. 1  
D. 1  
1