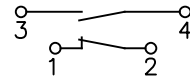


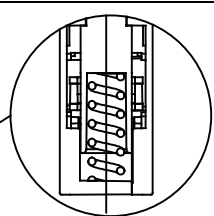
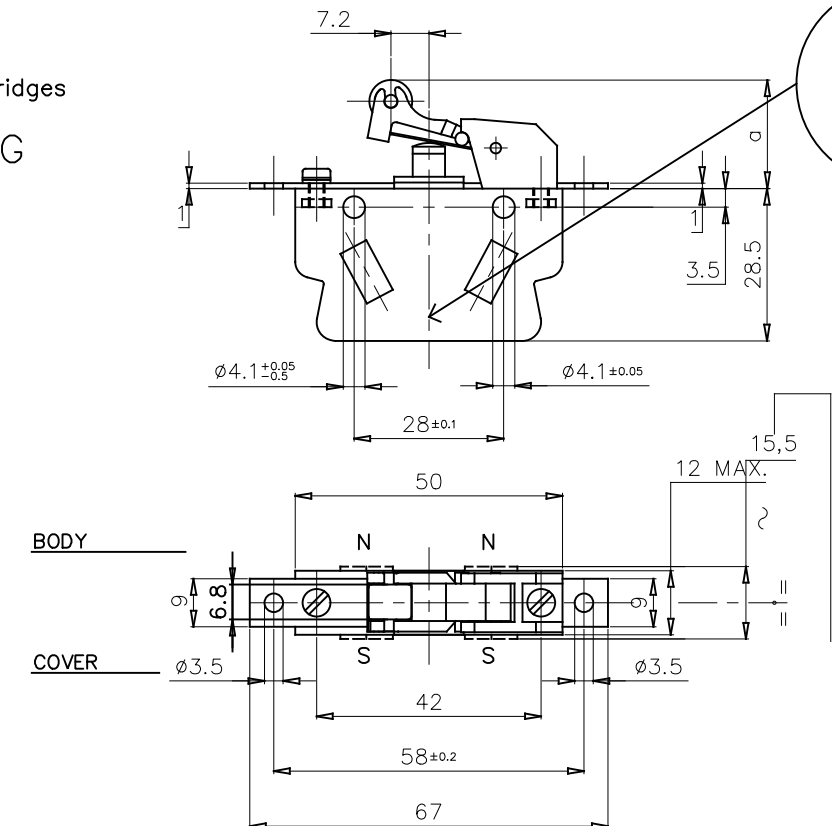
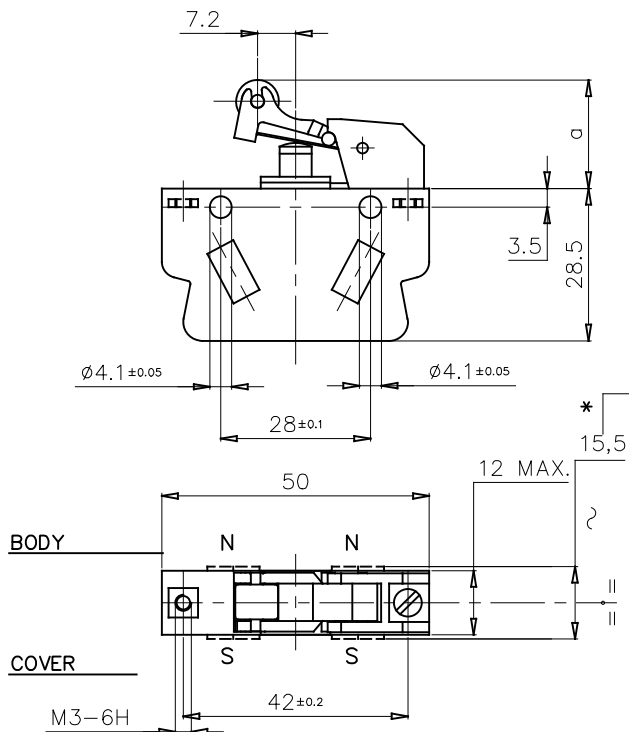
Galvanically isolated contact bridges
POSITIVE OPENING



MAX. OPERATING FORCE	N
	0,59
RELEASE FORCE	N
	1
REST POSITION	a mm
	20,1±0,25
TRIPPING POSITION	a mm
	16,1±0,25
RELEASE POSITION	a mm
	18,0±0,25
OVER TRAVEL LIMIT	a mm
	14,1

Only for Cod. SJ11PO-RNSNOBYC

Only for Cod. SJ11PO-RDSNOBYC



EXECUTIONS WITH FIXING DISTANCE 28 mm	
CODE	FEATURE
SJ11PO-RNSNOUY*	MICROSWITCH COMPLETE WITH LEVER - STD.TYPE CONTACTS
SJ11PO-RNGNOUY*	MICROSWITCH COMPLETE WITH LEVER - GOLD PLATE CONTACTS
SJ11PO-RNSNOBY*	MICROSWITCH COMPLETE WITH LEVER - WITH SOLID SILVER CONTACTS AND BLOWING MAGNETS

EXECUTIONS WITH FIXING DISTANCE 58 mm	
CODE	FEATURE
SJ11PO-RDSNOUY*	MICROSWITCH COMPLETE WITH LEVER - STD.TYPE CONTACTS
SJ11PO-RDGNNOUY*	MICROSWITCH COMPLETE WITH LEVER - GOLD PLATE CONTACTS
SJ11PO-RDSNOBY*	MICROSWITCH COMPLETE WITH LEVER - WITH SOLID SILVER CONTACTS AND BLOWING MAGNETS

NOTE : PLACE THE PERMANENT MAGNETS SO THAT THE POLARITIES ARE AS SHOWN IN THE DRAWING

* COVER MATERIAL	
CODE LETTER	MATERIAL
C	PC
N	PA66
P	PEI

NOTE : 2 µm GOLDEN PLATING

SIMBOLI UTILIZZATI PER IDENTIFICARE LA QUOTA IN REVISIONE DI MODIFICA
 SIMBOLO UTILIZZATO PER LE QUOTE SOGGETTE A CONTROLLO INTERNO

MODIFICHE	1	2	3	4	5	6	7
C.M.	0001						
	19/09/24						
	MU						

MATERIALE			TRATTAMENTO					
DATA	02/08/23	02/08/23	02/08/23	TOLLERANZE PER DIMENSIONI LINEARI ED ANGOLARI PRIVE DI INDICAZIONI DI TOLLERANZE SPECIFICHE UNI EN 22768-1	SCALA	1:1	SOSTITUISCE	A3
FIRMA	MARINO	MR	MR	MOLTO GROSSOLANA GROSSOLANA MEDIA FINE	REVISIONE	1 2 3 4 5 6 7		
DESCRIZIONE					COD. VEDI TABELLA		F. 1	
ISOLEX					IP951500Y		D. 1	
SNAP-ACTION MICROSWITCH SJ11 PO (1 N.O. + 1 N.C.) WITH OPERATION LEVER POSITIVE OPEN							ACAD	