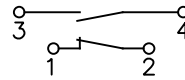
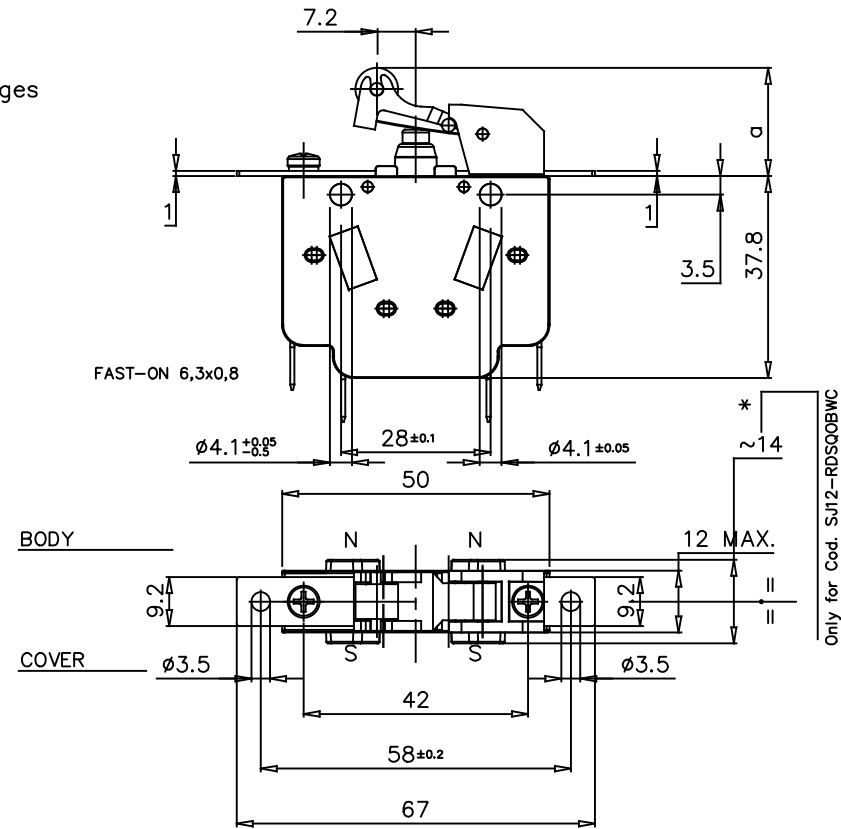


Galvanically isolated contact bridges



MAX. OPERATING FORCE	N
RELEASE FORCE	0,83
REST POSITION	N
TRIPPING POSITION	3,2
RELEASE POSITION	a mm
OVER TRAVEL LIMIT	20,1±0,2
	a mm
	16,0±0,2
	a mm
	17,8±0,2
	a mm
	14



EXECUTIONS WITH FIXING DISTANCE 28 mm	
CODE	FEATURE
SJ12-RNSQOUW*	MICROSWITCH COMPLETE WITH LEVER - STD.TYPE CONTACTS
SJ12-RNGQOUW*	MICROSWITCH COMPLETE WITH LEVER - GOLD PLATE CONTACTS
SJ12-RNSQOBW*	MICROSWITCH COMPLETE WITH LEVER - WITH SOLID SILVER CONTACTS AND BLOWING MAGNETS

EXECUTIONS WITH FIXING DISTANCE 58 mm	
CODE	FEATURE
SJ12-RDSQOUW*	MICROSWITCH COMPLETE WITH LEVER - STD.TYPE CONTACTS
SJ12-RDGQOUW*	MICROSWITCH COMPLETE WITH LEVER - GOLD PLATE CONTACTS
SJ12-RDSQOBW*	MICROSWITCH COMPLETE WITH LEVER - WITH SOLID SILVER CONTACTS AND BLOWING MAGNETS

NOTE : PLACE THE PERMANENT MAGNETS SO THAT THE POLARITIES ARE AS SHOWN IN THE DRAWING

* COVER MATERIAL	
CODE LETTER	MATERIAL
C	PC
N	PA66
P	PEI

NOTE : 2 µm GOLDEN PLATING

				MATERIALE	TRATTAMENTO	
DATA	DISEGNATO	APPROVATO	VISTO C.C.	TOLLERANZE PER DIMENSIONI LINEARI ED ANGOLARI PRIVE DI INDICAZIONI DI TOLLERANZE SPECIFICHE UNI EN 22768-1 MOLTO GROSSOLANA GROSSOLANA MEDIA FINE	SCALA	SOSTITUISCE
01/08/23	01/08/23	01/08/23			1:1	A3
FIRMA	FDS	MR	MR		REVISIONE	1 2 3 4 5 6 7

ISOLEX  
Milano Italy

DESCRIZIONE

SNAP-ACTION MICROSWITCH SJ12 (1 N.O. + 1 N.C.)  
IP67 WITH ROLLER + FAST-ON

COD. VEDI TABELLA

DIS.

**ID10215**

F. 1

B. 1

I. 1

MODIFICHE	
2   C.M. 0001	
19/09/24	
MU	

3	2	1	Rifer.
			Funz.
			Accop.
			Cliente

◆◆◆◆ SIMBOLI UTILIZZATI PER IDENTIFICARE LA QUOTA IN REVISIONE DI MODIFICA

##○## SIMBOLO UTILIZZATO PER LE QUOTE SOGGETTE A CONTROLLO INTERNO

A

B

C

D

E

F

ACAD