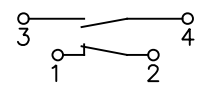


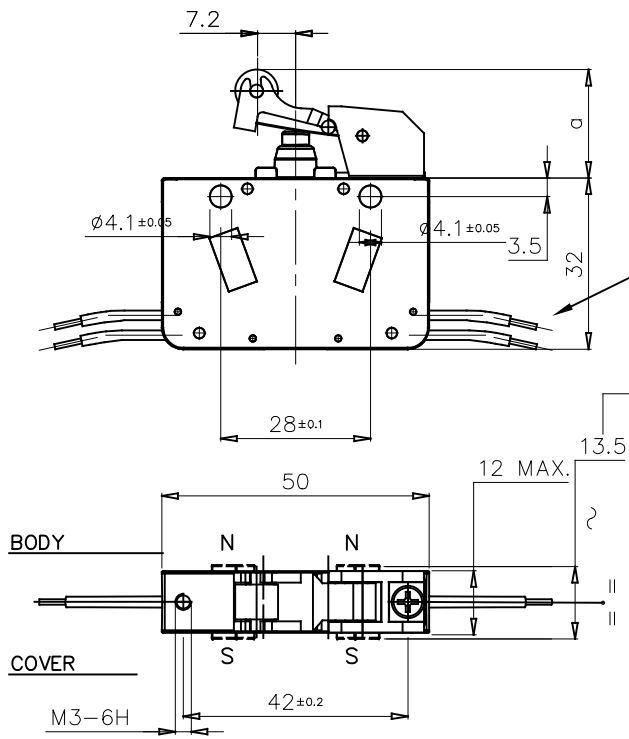
CABLES COMPLIANT WITH THE STANDARD EN50306

Galvanically isolated contact bridges
POSITIVE OPENING

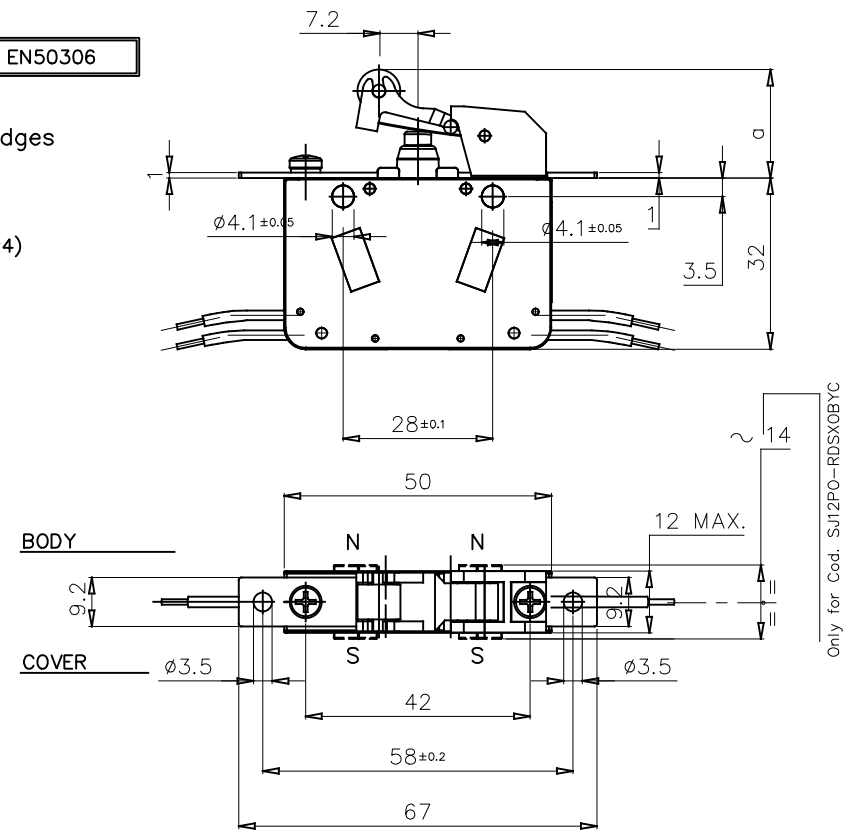
Cables length: 1 mmq x 500 mm (x4)



MAX. OPERATING FORCE	N
	0,83
RELEASE FORCE	N
	3,2
REST POSITION	a mm
	20,1±0,2
TRIPPING POSITION	a mm
	16,0±0,2
RELEASE POSITION	a mm
	17,8±0,2
OVER TRAVEL LIMIT	a mm
	14



Only for Cod. SJ12PO-RNSXOBYC



Only for Cod. SJ12PO-RDSXOBYC

EXECUTIONS WITH FIXING DISTANCE 28 mm	
CODE	FEATURE
SJ12PO-RNSXOUY*	MICROSWITCH COMPLETE WITH LEVER - STD.TYPE CONTACTS
SJ12PO-RNGXOUY*	MICROSWITCH COMPLETE WITH LEVER - GOLD PLATE CONTACTS
SJ12PO-RNSXOBY*	MICROSWITCH COMPLETE WITH LEVER - WITH SOLID SILVER CONTACTS AND BLOWING MAGNETS

EXECUTIONS WITH FIXING DISTANCE 58 mm	
CODE	FEATURE
SJ12PO-RDSXOUY*	MICROSWITCH COMPLETE WITH LEVER - STD.TYPE CONTACTS
SJ12PO-RDGXOUY*	MICROSWITCH COMPLETE WITH LEVER - GOLD PLATE CONTACTS
SJ12PO-RDSXOBY*	MICROSWITCH COMPLETE WITH LEVER - WITH SOLID SILVER CONTACTS AND BLOWING MAGNETS

NOTE : PLACE THE PERMANENT MAGNETS SO THAT THE POLARITIES ARE AS SHOWN IN THE DRAWING

* COVER MATERIAL	
CODE LETTER	MATERIAL
C	PC
N	PA66
P	PEI

NOTE : 2 µm GOLDEN PLATING

◆◆◆◆ SIMBOLI UTILIZZATI PER IDENTIFICARE LA QUOTA IN REVISIONE DI MODIFICA

##O## SIMBOLO UTILIZZATO PER LE QUOTE SOGGETTE A CONTROLLO INTERNO

MODIFICHE	MODIFICHE	3	2	1	Rifer.
0	10/03/23	1			Funz.
					Accop.
					Cliente

				MATERIALE	TRATTAMENTO				
DATA	08/02/24	APPROVATO	08/02/24	08/02/24	TOLLERANZE PER DIMENSIONI LINEARI ED ANGOLARI PRIVE DI INDICAZIONI DI TOLLERANZE SPECIFICHE UNI EN 22768-1	SCALA	1:1	SOSTITUISCE	A3
FIRMA	FDS	RIZZI	RIZZI		MOLTO GROSSOLANA GROSSOLANA MEDIA FINE	REVISIONE	1 2 3 4 5 6 7		

ISOLEX
Milano Italy

DESCRIZIONE

SNAP-ACTION MICROSWITCH SJ12 (1 N.O. + 1 N.C.)
 IP67 WITH OPERATION LEVER + cables 500 mm - PO

COD. VEDI TABELLA

DIS.

ID10230Y

F. 1
di 1