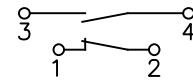


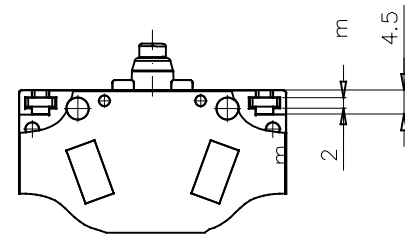
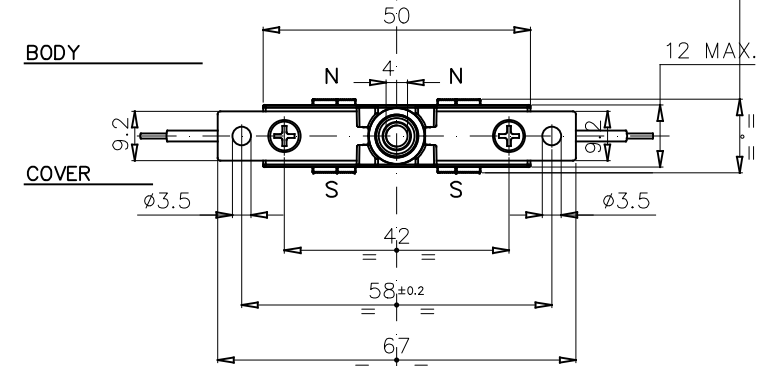
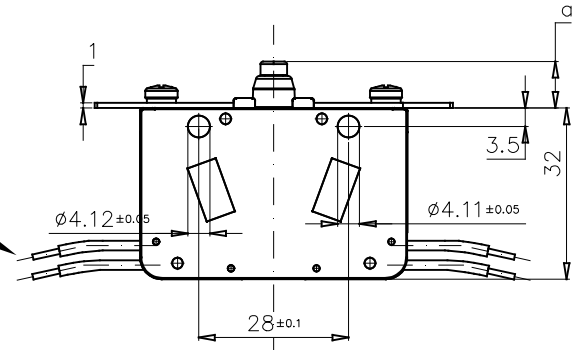
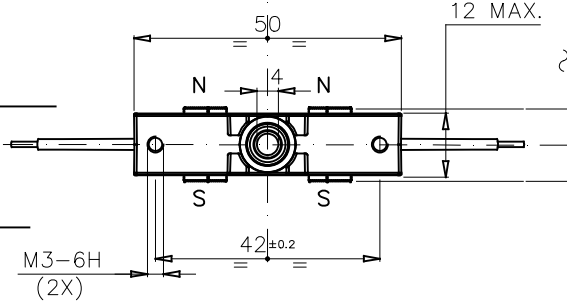
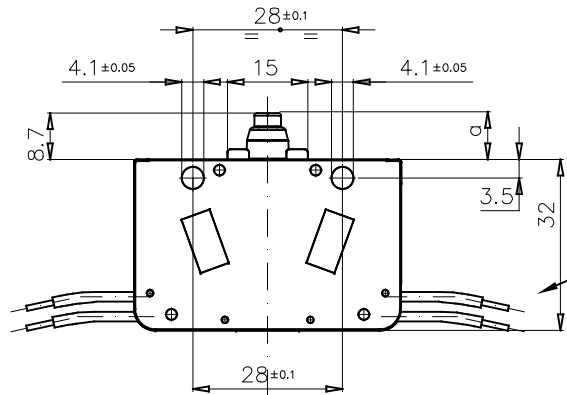
Galvanically isolated contact bridges

POSITIVE OPENING



Cables length: 1 mmq x 500 mm (x4)

MAX. OPERATING FORCE	N
	3,47±0,4
RELEASE FORCE	N
	3,2
REST POSITION	a mm
	8,8±0,2
TRIPPING POSITION	a mm
	6,55±0,20
RELEASE POSITION	a mm
	7,8±0,20
OVER TRAVEL LIMIT	a mm
	5,3



Only for Cod. SJ12PO-PNSXOBWC

Only for Cod. SJ12PO-PDSXOBWC

EXECUTIONS WITH FIXING DISTANCE 28 mm	
CODE	FEATURE
SJ12PO-PNSXOUW*	MICROSWITCH COMPLETE WITH LEVER - STD.TYPE CONTACTS
SJ12PO-PNGXOUW*	MICROSWITCH COMPLETE WITH LEVER - GOLD PLATE CONTACTS
SJ12PO-PNSXOBW*	MICROSWITCH COMPLETE WITH LEVER - WITH SOLID SILVER CONTACTS AND BLOWING MAGNETS

EXECUTIONS WITH FIXING DISTANCE 58 mm	
CODE	FEATURE
SJ12PO-PDSXOUW*	MICROSWITCH COMPLETE WITH LEVER - STD.TYPE CONTACTS
SJ12PO-PDGXOUW*	MICROSWITCH COMPLETE WITH LEVER - GOLD PLATE CONTACTS
SJ12PO-PDSXOBW*	MICROSWITCH COMPLETE WITH LEVER - WITH SOLID SILVER CONTACTS AND BLOWING MAGNETS

NOTE : PLACE THE PERMANENT MAGNETS SO THAT THE POLARITIES ARE AS SHOWN IN THE DRAWING

NOTE : 2 µm GOLDEN PLATING

* COVER MATERIAL	
CODE LETTER	MATERIAL
C	PC
N	PA66
P	PEI

MATERIALE			VEDI TABELLA				TRATTAMENTO							
DISegnato	APPROVATO	VISTO C.C.	TOLLERANZE PER DIMENSIONI LINEARI ED ANGOLARI PRIVE DI INDICAZIONI DI TOLLERANZE SPECIFICHE UNI EN 22768-1				SCALA	SOSTITUISCE		PESO				
DATA	18/05/22	18/05/22	18/05/22	MOLTO GROSSOLANA GROSSOLANA MEDIA FINE				1:1						
FIRMA	GM	MR	MR	REVISIONE				1	2	3	4	5	6	7

◊◊◊◊ SIMBOLI UTILIZZATI PER IDENTIFICARE LA QUOTA IN REVISIONE DI MODIFICA

##O## SIMBOLO UTILIZZATO PER LE QUOTE SOGGETTE A CONTROLLO INTERNO

MODIFICHE	MODIFICHE	MODIFICHE	MODIFICHE	MODIFICHE	MODIFICHE	MODIFICHE	MODIFICHE	3	2	1	Rifer. Funz. Accop. Cliente
1											



DESCRIZIONE  
SNAP-ACTION MICROSWITCH IP67 (1NO + 1 NC) + cables 500 mm horiz.

COD. VEDI TABELLA  
DIS. ID10235

FORMATO A3  
F. 1 B. 1